

Collaborative Innovation in Infection Control:

Redesigning Clinical Hand Basin Use
Through Circles of Influence in a
Multi-site Hospital Initiative

Carmel Couch

CLINICAL NURSE CONSULTANT

Infection Management & Control Service

ILLAWARRA SHOALHAVEN LOCAL HEALTH DISTRICT





SUPER AMR SCORE!!

Environmental
reservoirs
**increase
transmission
risk**

up to **80%** of antibiotics
ineffective

CPE

MRGN rates
increasing globally



When Design Drives Transmission

Biofilm: The Invisible Threat



2009 Alcohol-based
hand rub adopted

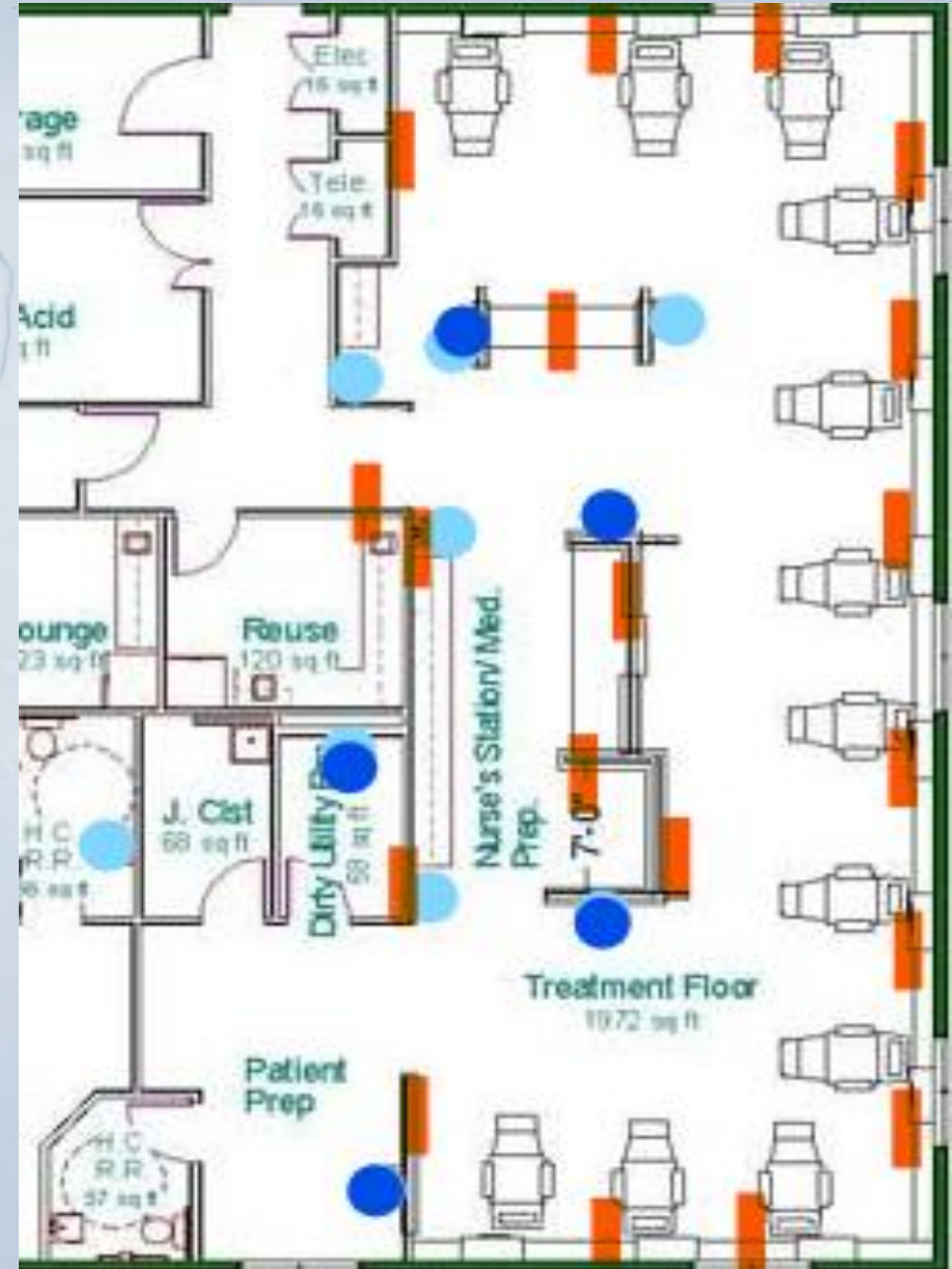
Now $\geq 85\%^*$ hand hygiene
moments **Alcohol-based handrub**



Collaboration & forming partnerships

1:4

strategically located,
clinically justified,
eliminates duplication





Evolving with Evidence





“

The five points to consider for a healthy environment are pure air, pure water, efficient drainage, cleanliness, and light. Without these, no house can be healthy.

”

Florence Nightingale
(1820-1910)



This is our circle of influence: frontline evidence shaping guidelines,
and those guidelines now shaping everyday practice.

Duane, B., Pilling, J., Saget, S., Ashley, P., Pinhas, A. R., & Lyne, A. (2022). Hand hygiene with hand sanitizer versus handwashing: what are the planetary health consequences?. *Environmental science and pollution research international*, 29(32), 48736–48747. <https://doi.org/10.1007/s11356-022-18918-4>

Fucini, G. B., Geffers, C., Schwab, F., Behnke, M., Sunder, W., Moellmann, J., & Gastmeier, P. (2023). Sinks in patient rooms in ICUs are associated with higher rates of hospital-acquired infection: a retrospective analysis of 552 ICUs. *The Journal of hospital infection*, 139, 99–105. <https://doi.org/10.1016/j.jhin.2023.05.018>

Hayward, C., Ross, K. E., Brown, M. H., Nisar, M. A., Hinds, J., Jamieson, T., Leterme, S. C., & Whiley, H. (2024). Handwashing basins and healthcare associated infections: Bacterial diversity in biofilms on faucets and drains. *The Science of the total environment*, 949, 175194. <https://doi.org/10.1016/j.scitotenv.2024.175194>

Inkster, T., Walker, J., & Weinbren, M. (2024). Water-free patient care: a narrative review of the literature and discussion of the pressing need for a way forward. *The Journal of hospital infection*, 152, 36–41. <https://doi.org/10.1016/j.jhin.2024.06.006>

Low, J. M., Chan, M., Low, J. L., Chua, M. C. W., & Lee, J. H. (2024). The impact of sink removal and other water-free interventions in intensive care units on water-borne healthcare-associated infections: a systematic review. *The Journal of hospital infection*, 150, 61–71. <https://doi.org/10.1016/j.jhin.2024.05.012>

Maillard, J. Y., & Centeleghe, I. (2023). How biofilm changes our understanding of cleaning and disinfection. *Antimicrobial resistance and infection control*, 12(1), 95. <https://doi.org/10.1186/s13756-023-01290-4>

Schärer, V., Meier, M. T., Schuepbach, R. A., Zinkernagel, A. S., Boumasmoud, M., Chakrakodi, B., Brugger, S. D., Fröhlich, M. R., Wolfensberger, A., Sax, H., Kuster, S. P., & Schreiber, P. W. (2023). An intensive care unit outbreak with multi-drug-resistant *Pseudomonas aeruginosa* - spotlight on sinks. *The Journal of hospital infection*, 139, 161–167. <https://doi.org/10.1016/j.jhin.2023.06.013>

Acknowledgements

Infection Management and Control Team, Illawarra Shoalhaven Local Health District, NSW, Australia.

Infectious Diseases Team, Illawarra Shoalhaven Local Health District, NSW, Australia.

Microbiology Department, NSW Pathology, Wollongong Hospital & Shellharbour Hospital, NSW, Australia.

Illawarra Hospital Group, Executive Management, Illawarra Shoalhaven Local Health District, NSW, Australia.

Capitol works, Infrastructure and Re-Design team, Illawarra Shoalhaven Local Health District, NSW, Australia.

Clinical Governance Unit, Illawarra Shoalhaven Local Health District, NSW, Australia.

Australasian Health Infrastructure Alliance (AHIA).

Megan Brown, Julie Rieck, Jacquie Deaves, Suzanne Alexander, Jillian Ruddy, Chris Russell, Kate Mitchell, Fiona Hamilton, Spiros Miyakis, Kimberley Cipko, Niladri Ghosh, Omar Shum, Nick Adams, Barb Crawford, Sue Harris, Albert Vasquez, Liam McBarron, Jenny Green, Marina O'Dwyer, Lisa Dowd, Jared Stankovski, Tim Wand.